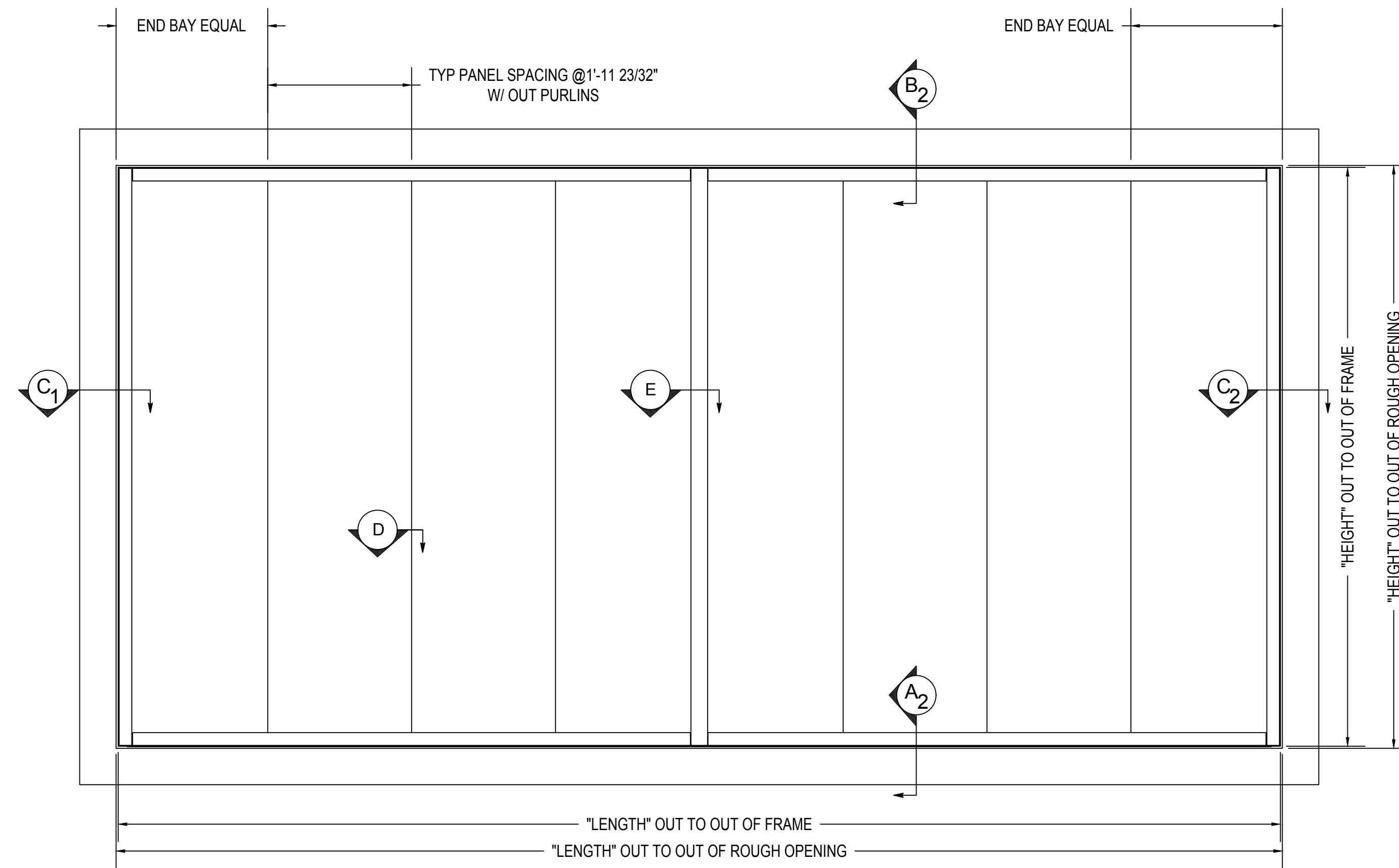
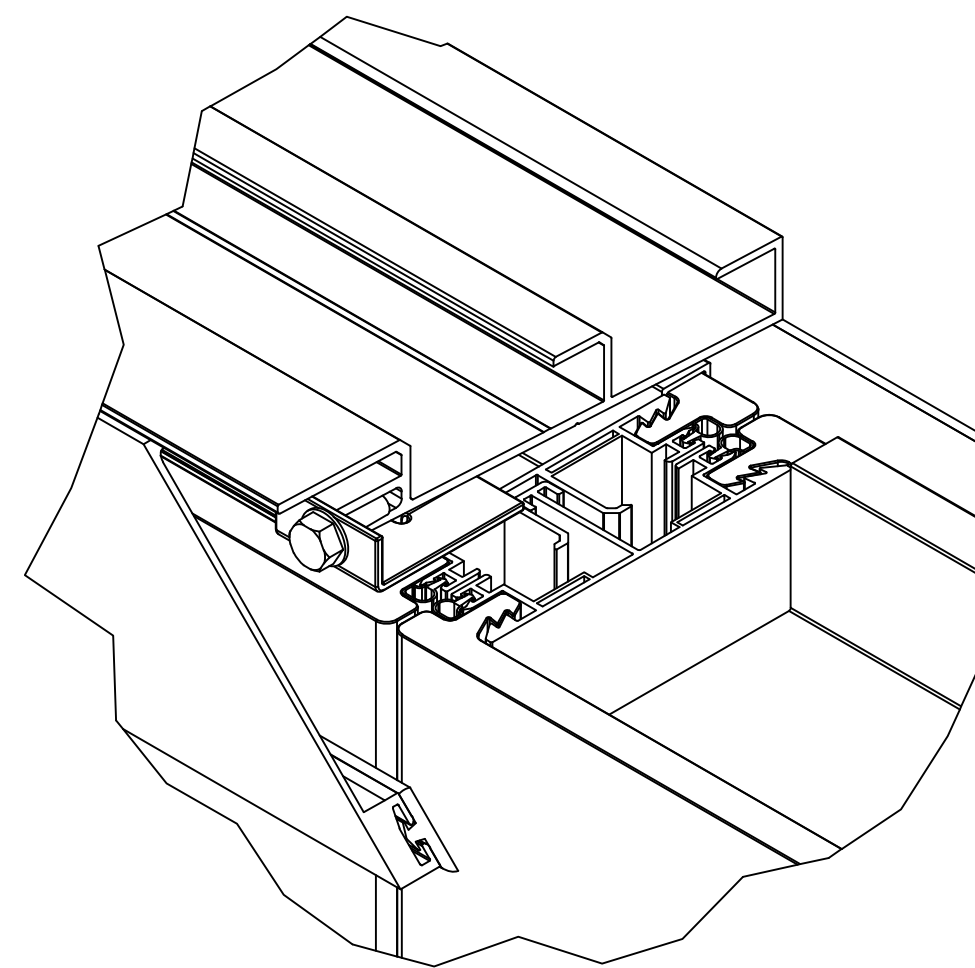
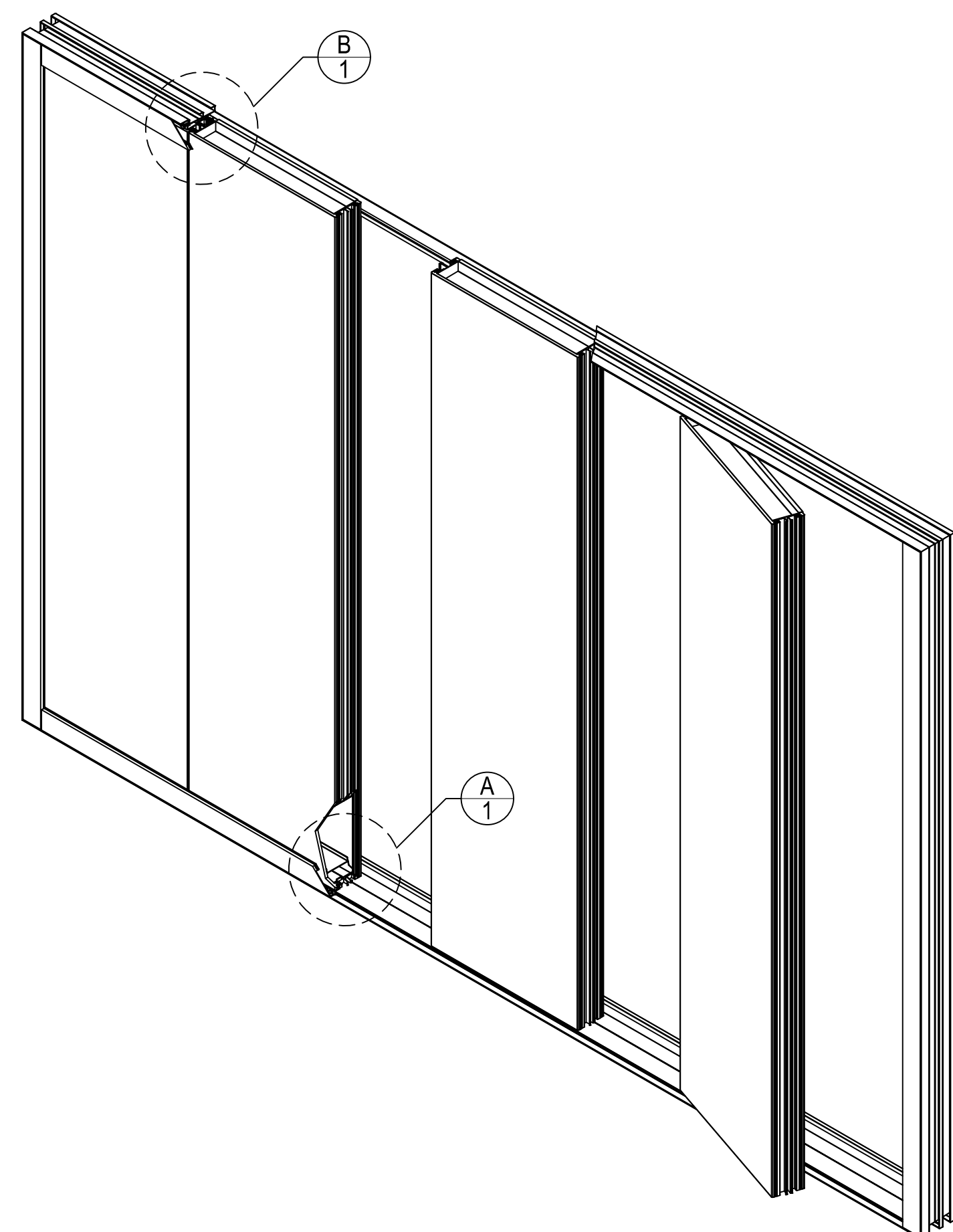


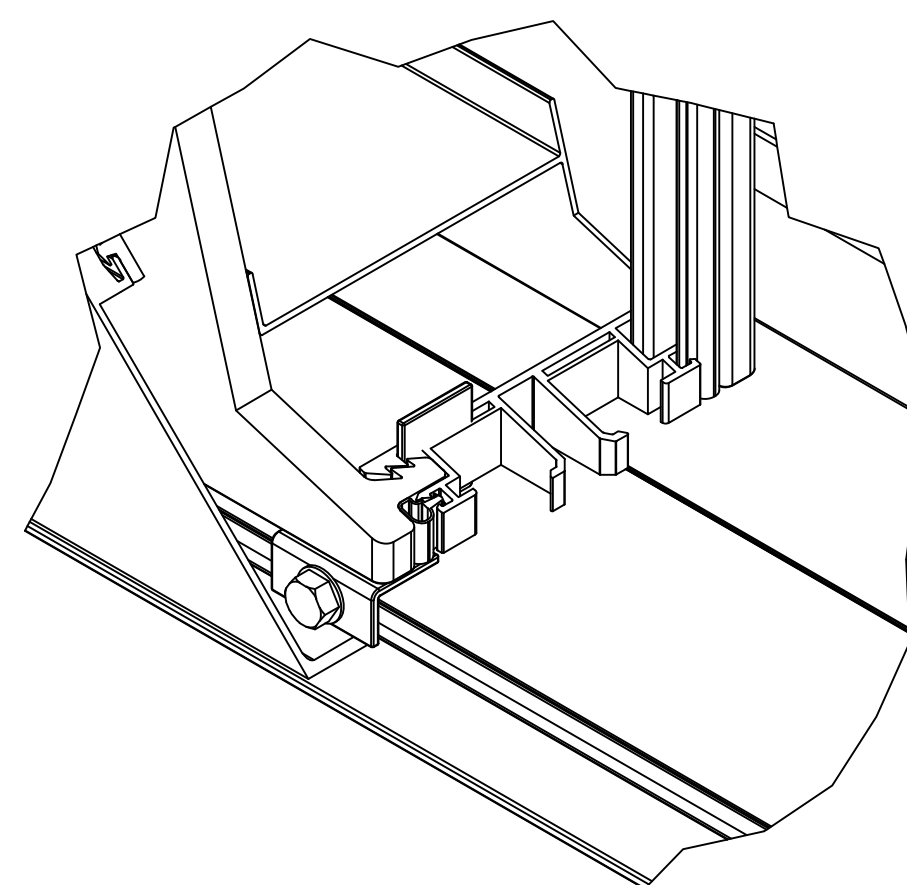
ELEVATION (FLUSH)



ELEVATION (W/ OPTIONAL MULLION)



B1 UNICLIP CONNECTION @ HEAD  
3" UNIQUAD



A1 UNICLIP CONNECTION @ HEAD  
3" UNIQUAD

TRANSLUCENT WALLS  
3" UNIQUAD  
SHORT SPANS - CONTACT TO VERIFY DESIGN LOADS



28662 N. Ballard Drive  
Lake Forest, IL 60045 USA  
T: +1 847.816.1060  
F: +1 847.816.0475

**Note**

The standard details shown are for reference only.

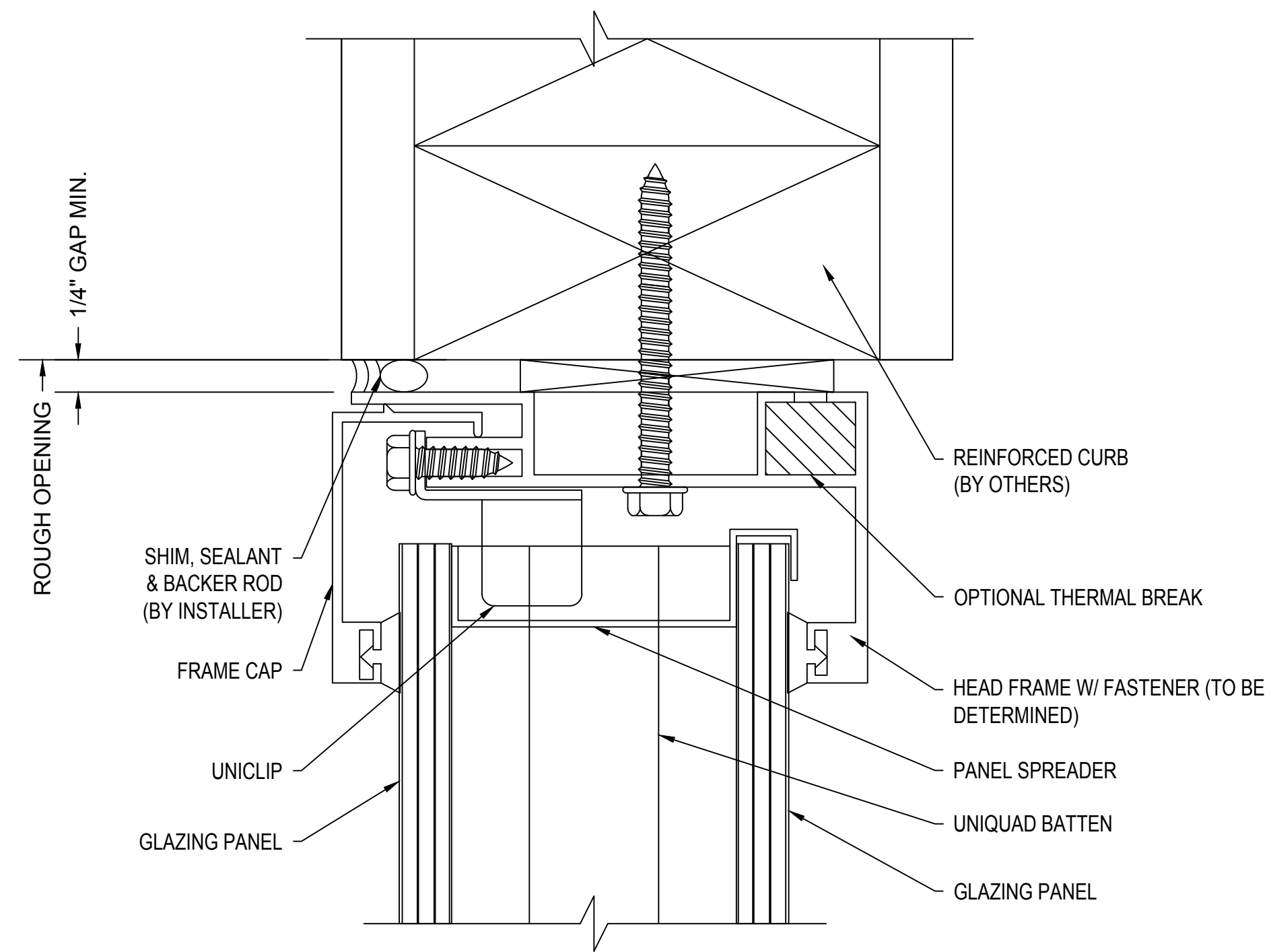
Please contact our Architectural Support Department for job specific details and for information regarding the usage, limitations, and or code requirements pertaining to this product, please contact us at:

support@cpidaylighting.com

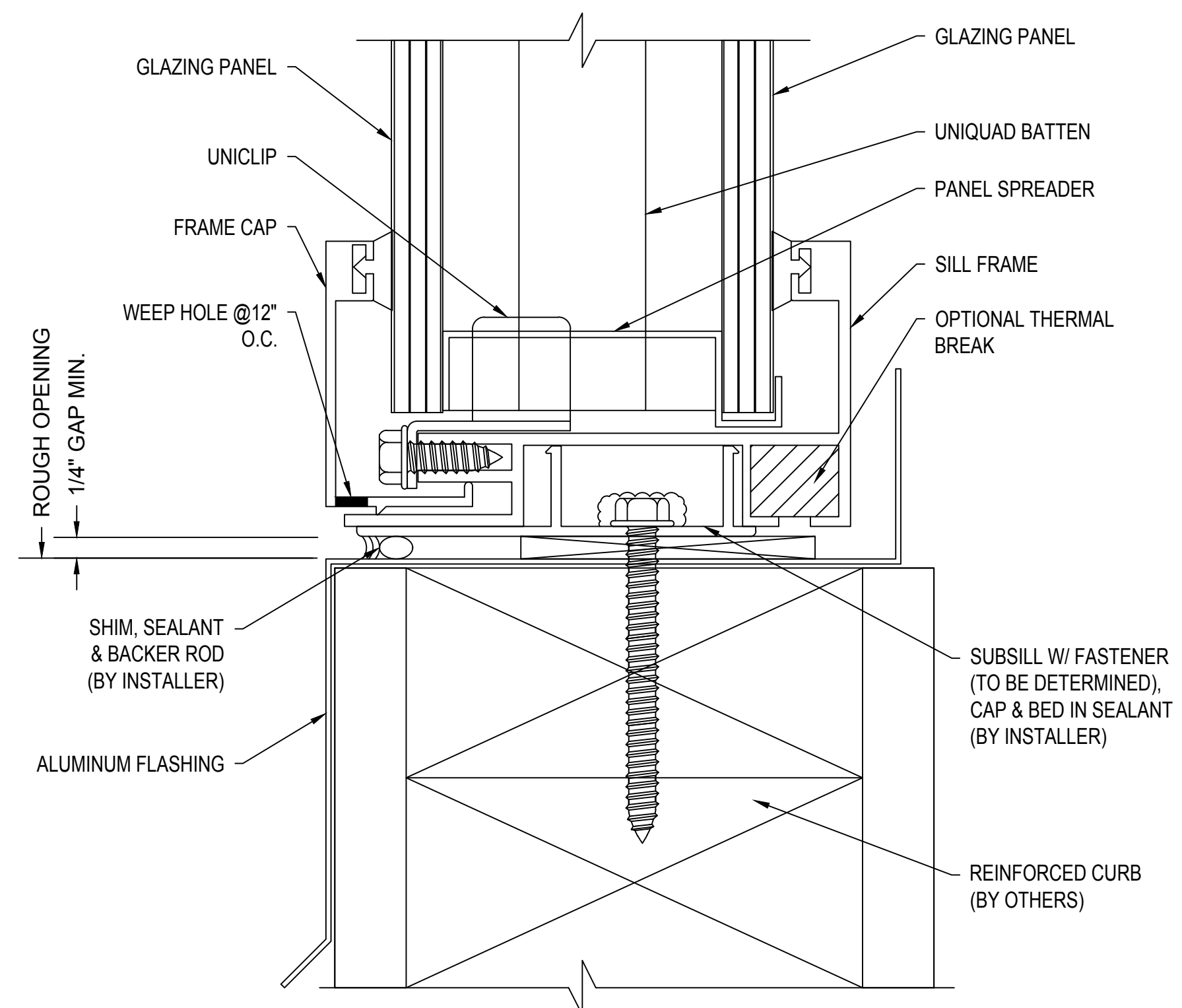
Details are subject to change and should be verified with our Architectural Support Department prior to implementation, please contact us at: support@cpidaylighting.com

SHEET NO.

1 OF 3



**B<sub>2</sub>** SECTION @ HEAD  
3" UNIQUAD



**A<sub>2</sub>** SECTION @ HEAD  
3" UNIQUAD

**TRANSLUCENT WALLS**

3" UNIQUAD

SHORT SPANS - CONTACT TO VERIFY DESIGN LOADS



28662 N. Ballard Drive  
Lake Forest, IL 60045 USA  
T: +1 847.816.1060  
F: +1 847.816.0475

**Note**

The standard details shown are for reference only.

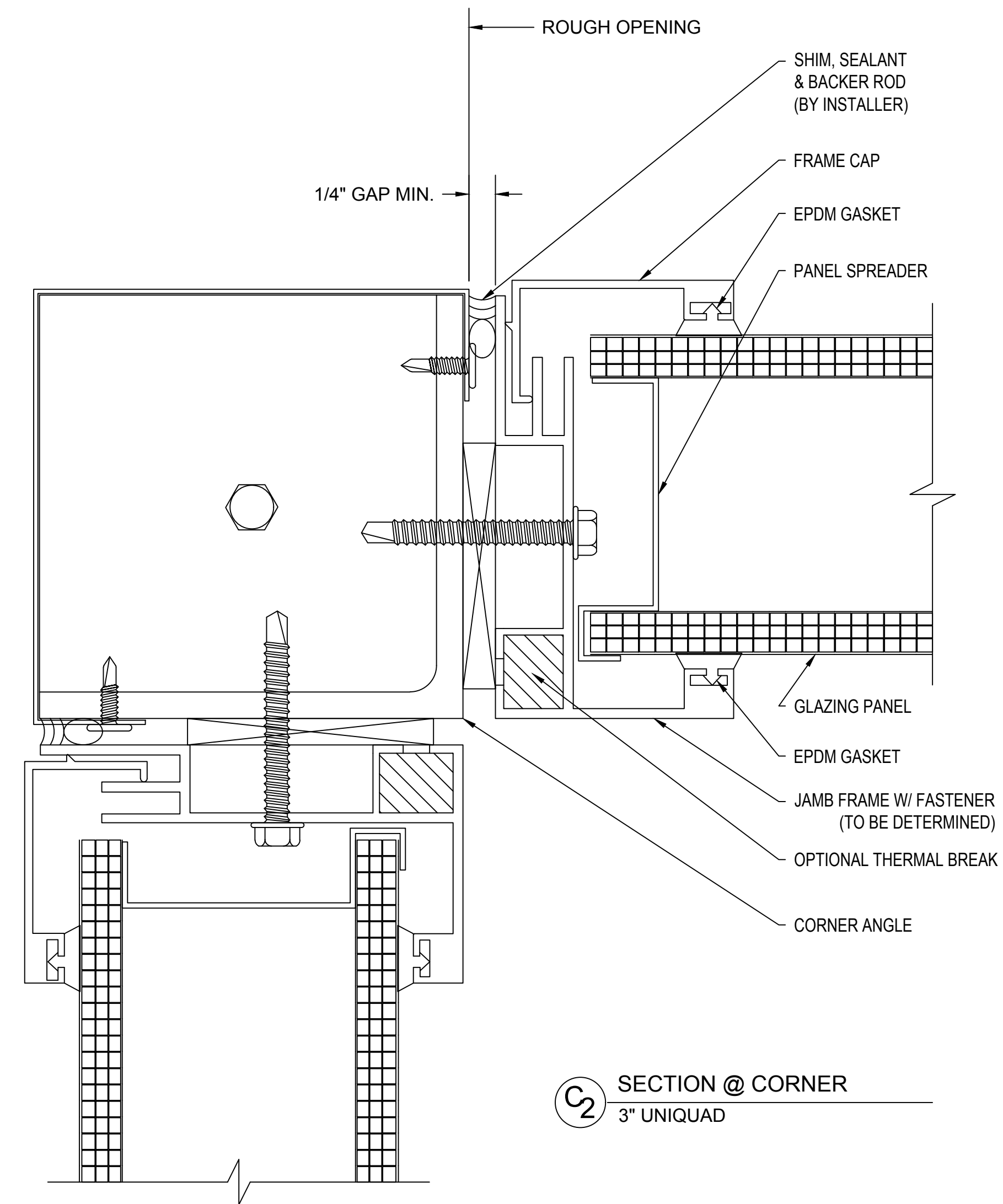
Please contact our Architectural Support Department for job specific details and for information regarding the usage, limitations, and or code requirements pertaining to this product, please contact us at:

support@cpidaylighting.com

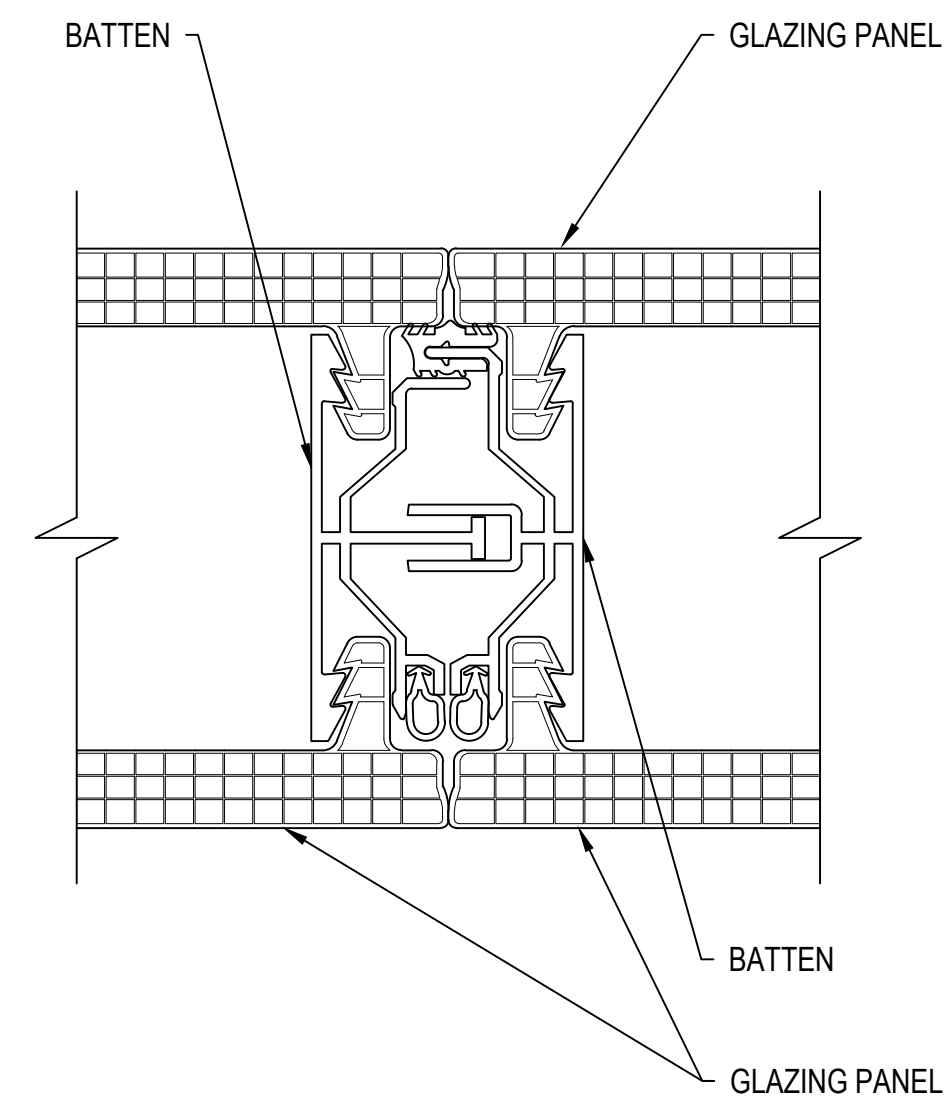
Details are subject to change and should be verified with our Architectural Support Department prior to implementation, please contact us at: support@cpidaylighting.com

SHEET NO.

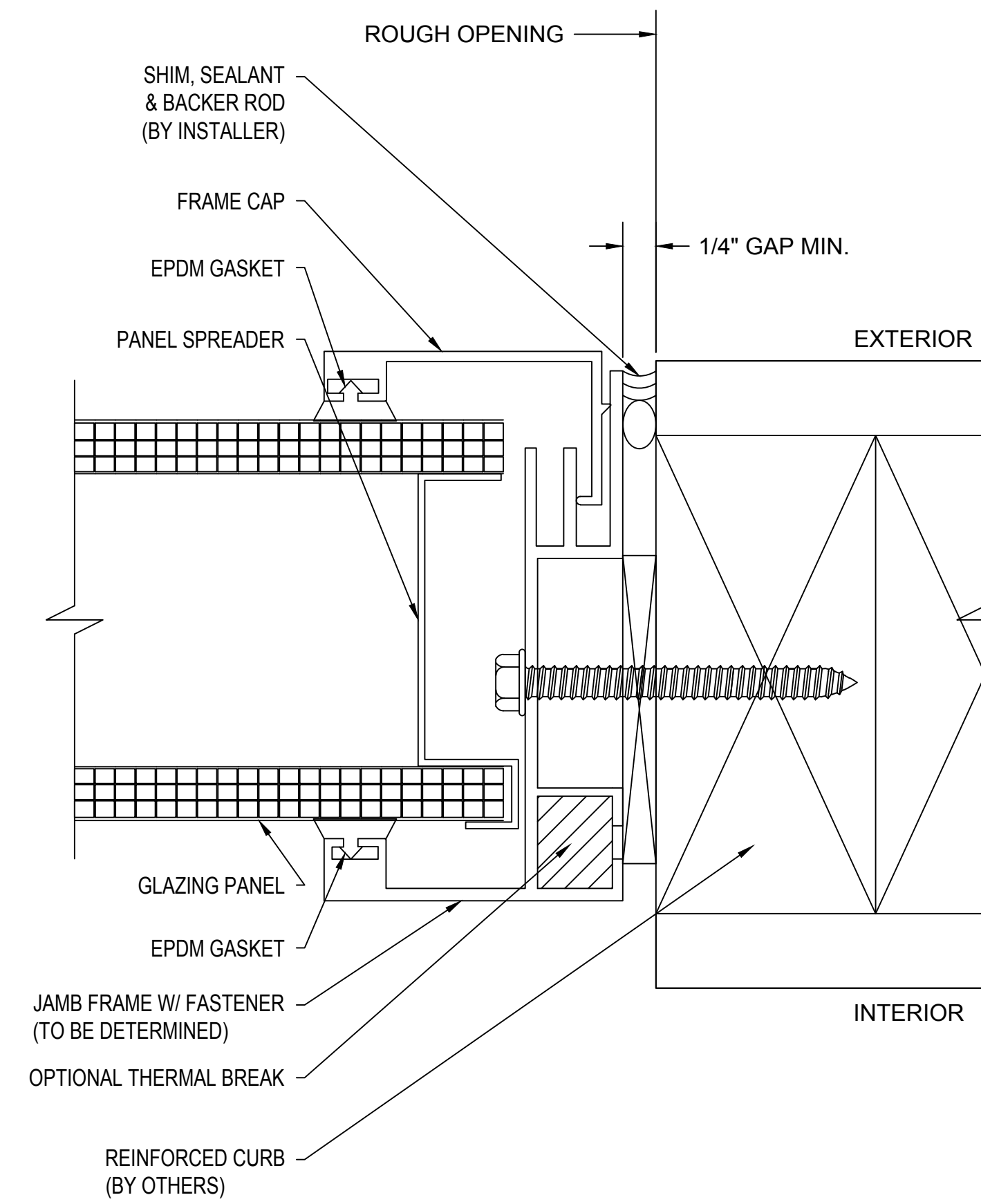
2 OF 3



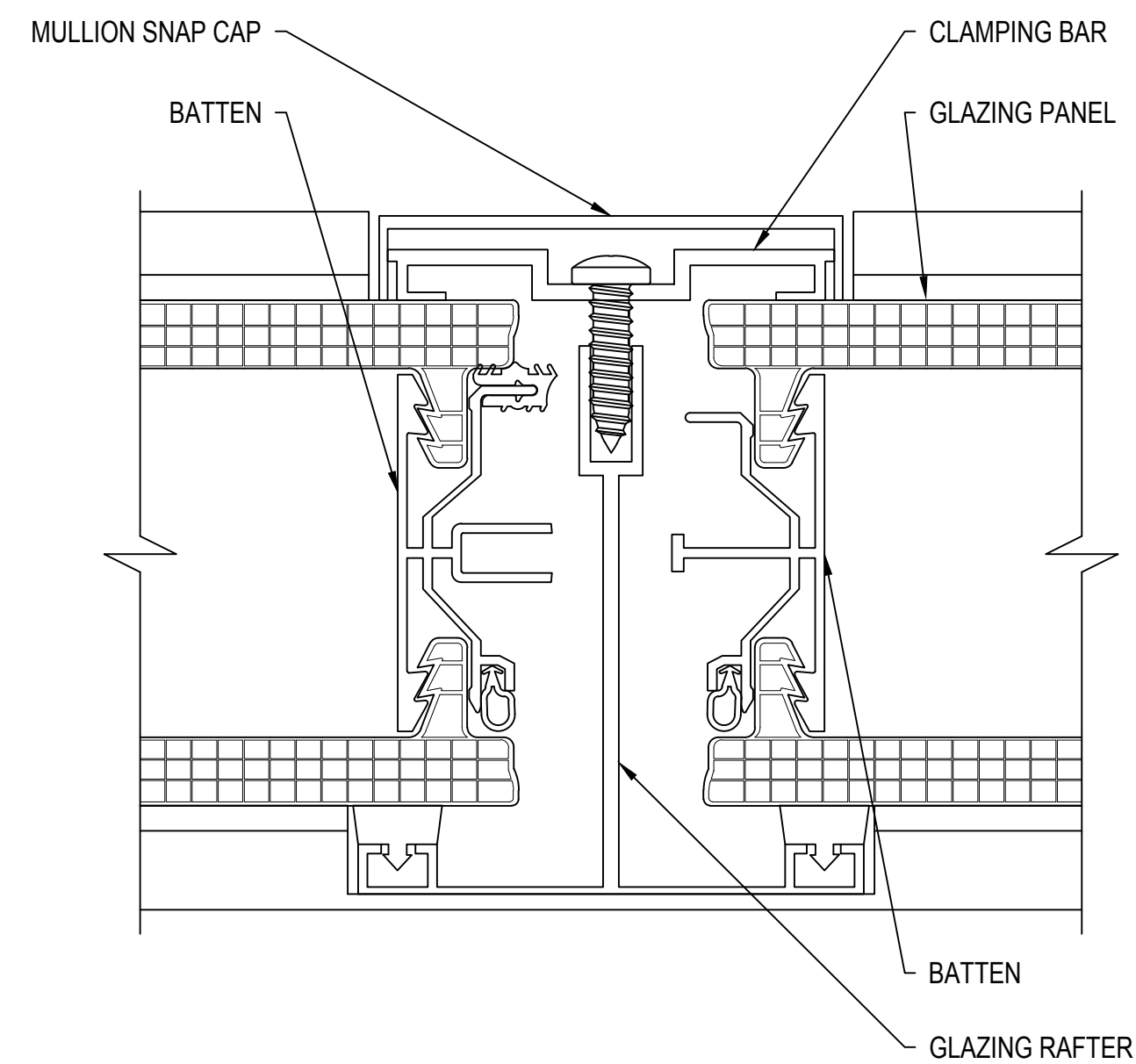
C2 SECTION @ CORNER  
3" UNIQUAD



D SECTION @ BATTEN  
3" UNIQUAD



C1 SECTION @ JAMB  
3" UNIQUAD



E SECTION @ VERTICAL MULLION (OPTIONAL)  
3" UNIQUAD

TRANSLUCENT WALLS

3" UNIQUAD

SHORT SPANS - CONTACT TO VERIFY DESIGN LOADS



28662 N. Ballard Drive  
Lake Forest, IL 60045 USA  
T: +1 847.816.1060  
F: +1 847.816.0475

Note

The standard details shown are for reference only.

Please contact our Architectural Support Department for job specific details and for information regarding the usage, limitations, and or code requirements pertaining to this product, please contact us at:

support@cpidaylighting.com

Details are subject to change and should be verified with our Architectural Support Department prior to implementation, please contact us at: support@cpidaylighting.com

SHEET NO.

3 OF 3